



## WIRELESS, PAN TILT, EASY CONNECT INTERNET NETWORK (IP) REMOTE SURVEILLANCE CAMERA

LOREX's new Pan Tilt Wireless Easy Connect Network Camera (**LNZ4001**) allows users to remotely monitor their home or business through a secure, password protected connection that requires no networking knowledge. Simply connect the camera into a router, run the installation CD and users are on their way to see, hear and protect what matters.

The **LNZ4001** features high-resolution viewing, 10x digital zoom and two-way audio. Enhanced MPEG4 compression provides efficient video stream allowing users to monitor real-time surveillance from any Internet connection or by using the Apple iPhone™ (mobile 3G). The **LNZ4001** is PC compatible, supporting Mac browser, Internet Explorer, Firefox and Safari browsers. Users will feel confident with a versatile camera that provides superior low-light performance with night-vision LEDs and Pan Tilt capabilities. Motion events trigger e-mail notifications with JPEG image attachment allowing users to see what happened. The camera can be triggered to pan and tilt by other LN4001, LNE1001 and LNE3003 LOREX Cameras in addition to trigger an alarm via an Alarm port. Included software gives users the ability to view, record and playback.

*It really is that easy!*

### FEATURES

#### MAIN FEATURES:

- Wired/wireless 802.11b/g connectivity for flexible installation
- Professional grade camera (HTTP Event – camera can trigger or be triggered by other LOREX camera)
- Pan tilt control via iPhone™
- Preset pan tilt tour
- Night vision - 30ft (10m), IR LEDs
- Remote easy connect (Yoics and MSN)
- No DDNS/router configuration required
- Secure web management connectivity (password protected)

#### CAMERA FEATURES:

- No networking knowledge required, GUARANTEED!
  - Plug in Camera, Run Discovery CD (DigiConsole, included)
  - CONNECT
- 10 x digital zoom
- 6 channel surveillance application for viewing and archiving



- Two-way audio via audio input/output (external microphone/speakers needed)
- Enhanced MPEG4 compression for efficient video streaming
- Crystal clear video quality in VGA (640x480) Resolution @ 30 frames per second
- Supports common browsers (Internet Explorer, Firefox, Safari) to be viewed using PC or Mac
- Mobile support (3GPP), Apple iPhone™ and Apple iPod Touch™
- Alarm input/output (camera can be integrated with Alarm system - alarm triggers camera/ motion triggers alarm)
- Motion event triggers e-mail notification with JPEG attachment
- Windows Vista™ compatible



www.lorexcctv.com

**LNZ4001**

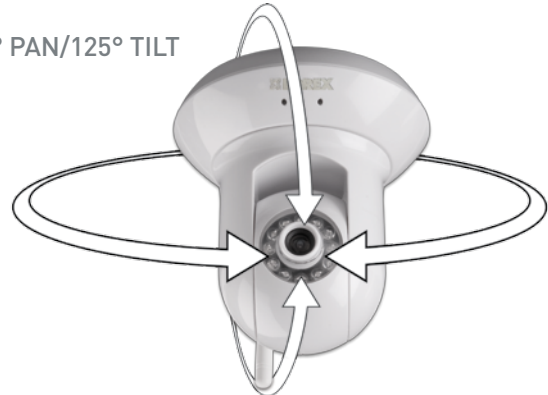
# WIRELESS, PAN TILT, EASY CONNECT INTERNET NETWORK (IP) REMOTE SURVEILLANCE CAMERA

## SPECIFICATIONS

Models:	LNZ4001
Image Sensor:	1/4" Progressive Color ; CMOS Sensor
Video Format:	VGA
Effective Pixels:	VGA : 640 H x 480 V
Max Resolution:	640 x 480(VGA)
Scan System:	Progressive CMOS
Sync System:	Internal
S/N Ration	50 dB
Iris:	AES (Shutter Speed: VGA : 1/7.5 ~ 1/120 sec.)
Zoom:	10x Digital
Pan/Tilt:	354° pan range, 60°/sec pan speed 125° tilt range, 80°/sec tilt speed
Minimum Illumination:	0.5 LUX without IR LED , 0 LUX with IR LEDs on
IR LED/Qty/LED Type:	5 IR LEDs x 12 (850nm)
Night Vision Range:	10M
Day/Night Function:	Mechanical IR cut filter
Video Compression:	Motion JPEG & MPEG-4
Lens/Focal Length/Type:	4.3 mm Fixed
Lens Mount Type:	Fixed
Aperture:	F2.0
FOV (Diagonal):	55 degree
Unit Weight:	0.281 Kg/0.6 Lbs
Unit Dimensions:	112 x 114 x 114 mm (4.4"x 4.4" x 4.4") (W X D X H)
Video Compression:	Motion JPEG & MPEG-4
Max Resolution:	640 x 480(VGA)
Frame Rate:	Motion JPEG: Up to 30 fps in all resolutions MPEG-4: Up to 30 fps in all resolutions
Video Streaming:	Video Streaming: RTSP MPEG-4, HTTP Motion JPEG and MPEG-4 Controllable frame rate and bandwidth 3GPP/ISMA RTSP compatible
Audio:	Two-way (full duplex) Built-in microphone
Alarm and Event Management:	Motion event triggers e-mail notification with JPEG image attachment or upload to FTP
Connectors:	RJ-45 for Ethernet 10/100 Base-T, DC power jack, Terminal blocks for 1 alarm input, 1 output, Reset push switch, 3.5 mm jack for Mic/Line, 3.5 mm jack for line out
Termination:	1 port DI , 1 port DO
Input / Output:	Alarm input 5V/12V DC / Alarm output Max 30W
Processors and Memory:	ARM9 based 32-bit RISC CPU 32MB RAM, 4MB Flash
Operation System:	Linux 2.4
Power:	12V DC, 1A, Max 5W
Operating Conditions:	0-50 °C (32 - 113 °F) Humidity 20-80% RH (no condensing)
Browser Support:	Internet Explorer, Firefox, Safari

PC Desktop Application Support:	Windows XP, Windows Vista
Remote Viewing Support:	Yoics (Easy Connect) , MSN, DDNS
Mobile Support: Mobile	3GPP, Wi-Fi (iPhone™ / iPod touch™, supported 3GPP Phone)
Supported Protocols:	TCP/IP, DHCP, ARP, ICMP, FTP, SMTP, DNS, NTP, Bonjour, UPnP, RTSP, RTP, HTTP, TCP, UDP, 3GPP/ ISMA RTSP
Video Surveillance Software:	PC based DigiConsole surveillance application for viewing, recording and archiving up to 6 cameras included (Compatible with 16 camera DigiPlayer software)
Approvals:	CE, FCC, RoHS

### 354° PAN/125° TILT



## PACKAGE INFORMATION

UPC:	7-78597-01004-6
Weight:	0.281 Kg/0.6 Lbs
Dimensions: (W x D x H)	235mm x 152mm x 146mm/ 9.25" x 6" x 5.75"

## CONTENTS

<b>LNZ4001</b>	<ul style="list-style-type: none"> <li>• Network Camera</li> <li>• Metal Wall/Ceiling Mount Bracket</li> <li>• Antenna</li> <li>• Power Supply</li> <li>• Ethernet Cable</li> <li>• CD Software and Manuals</li> <li>• QSG (Quick Start guide)</li> </ul>
----------------	---

### Lorex Technology Inc.

250 Royal Crest Court, Markham,  
Ontario L3R 3S1 Canada.

3700 Koppers Street  
Baltimore, Maryland 21227, USA.



©2009 Lorex Technology Inc.  
As our product is subject to continuous improvement, Lorex Technology & subsidiaries reserve the right to modify product design, specifications & prices without notice and without incurring any obligation. E60E

iPod/iPod touch, iPhone, Yoics and MSN are trademarks of their respective companies, register in the US and other countries, not included.