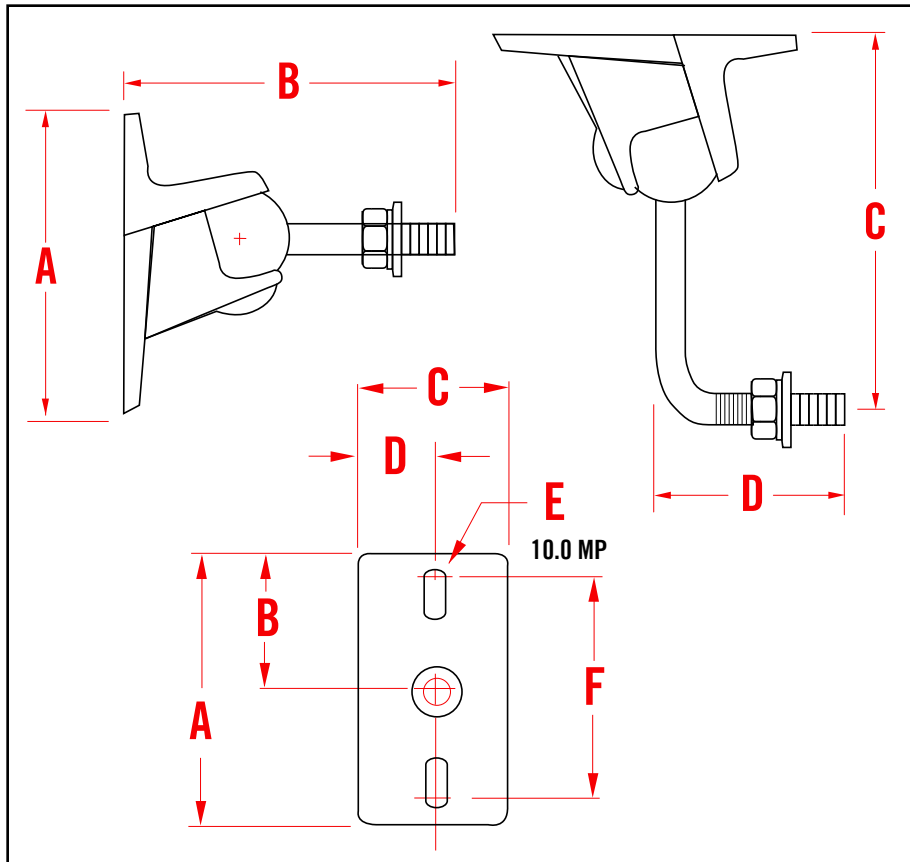




# 10.0

## STAINLESS STEEL OMNIMOUNTS



TECHNICAL SPECIFICATIONS		
A	2.813"	71.44mm
B	3.00"	76.20mm
C	5.25"	133.35mm
D	1.375"	34.93mm
10.0 MP (mounting plate)		
A	2 7/8"	73.02mm
B	2 7/16"	61.91mm
C	1 7/8"	47.63mm
D	15/16"	23.81mm
E	1/4"	6.40mm
F	2 1/2"	63.50mm



A multi configuration mounting solution made of stainless steel and aluminum

- Ball and clamp design for greater mounting flexibility
- Models for wall or ceiling mount, satellite or bookshelf speakers
- Maximum flexibility: 360° base rotation 180° pan, +/-30° tilt
- Includes complete mounting hardware kit
- 1/4" - 20 threaded shaft
- Available in Black, White and Grey
- 10 lb. (4.5 kg) max weight capacity