

LCD Digital Color TV

Quick Setup Guide

Sony Customer Support
 U.S.A.: www.sony.com/tvsupport
 Canada: www.sony.ca/support

United States: 1.800.222.SONY
 Canada: 1.877.899.SONY

Please Do Not Return the Product to the Store

© 2010 Sony Corporation
 Printed in China

BRAVIA

KDL-60EX500 / 55EX500 / 55EX501 / 46EX400 / 46EX401 / 46EX500
 KDL-46EX501 / 40EX400 / 40EX401 / 40EX500 / 40EX501 / 32EX301
 KDL-32EX400 / 32EX500

1 Your New BRAVIA® LCD HDTV

Congratulations! Your new BRAVIA® TV opens the door to the “Stunning HD Experience”. This guide will explain how to get the most from your new High Definition TV.

Please take these steps before you power up your BRAVIA:

- Register online at: <http://productregistration.sony.com> (from U.S.A.)
<http://www.SonyStyle.ca/registration> (from Canada)
- Make sure you've removed all accessory contents from packaging.
- Install 2 AAA batteries (supplied separately) in your remote control.
- Determine whether you will mount your TV on a wall or place it on the Table-Top Stand. Sony wall-mounting brackets are designed to provide the best fit.
- Give your TV 2 3/8 inches (6 cm) of space behind it to properly ventilate.

You must get HD programming to experience the stunning detail of HDTV.

- The quality of the image you see on your BRAVIA can only be as high as the quality of the signal it is receiving.
- Contact your cable, satellite or HD Service provider to upgrade your service to HD. Receive over-the-air HD broadcasts with an HD-quality antenna (www.antennaweb.org) and discover the wealth of entertainment now available on super-high-resolution Blu-ray Disc™.

To learn more about HDTV, visit:
U.S.A.: <http://www.sony.com/HDTV>
Canada: <http://www.SonyStyle.ca/hd>

Connecting to Your TV

Your BRAVIA TV must be properly connected to components such as sound system and cable or satellite box.

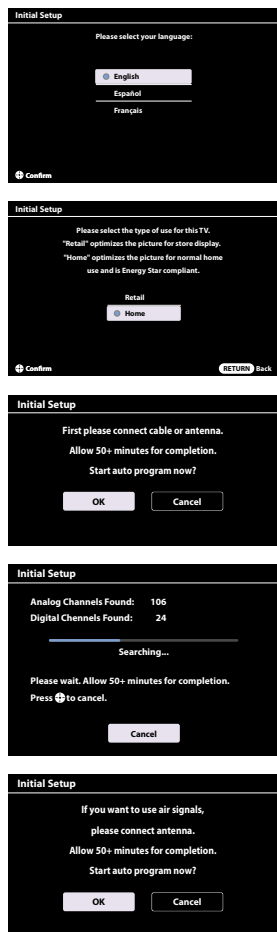
- Turn off and unplug all components before making connections.
- Do not turn on the TV until connection setup is completed.
- See reverse side of this poster for sample connection diagrams.

INPUT Connector	VIDEO Connection	AUDIO	High or Standard Definition Quality						
			1080/24p	1080p	1080i	720p	480p	480i	PC
HD	HDMI 1	HDMI connection* <small>(*When HDMI is connected to DVI with an adapter, a separate audio L/R is necessary.)</small>	●	●	●	●	●	●	●
	HDMI 2		●	●	●	●	●	●	
	HDMI 3		●	●	●	●	●	●	
	HDMI 4		●	●	●	●	●	●	
COMPONENT 1	Component connection	Audio L/R	●	●	●	●	●	●	
			COMPONENT 2	●	●	●	●	●	●
SD	VIDEO 1	Composite video connection							
	VIDEO 2	Composite video connection						●	

2 Running Initial Setup

Initial Setup instructions are displayed on the screen when your BRAVIA is powered on for the first time.

- Select the language for the OSD (on screen display).
- Select the type of use. (Select **Home** for compliance with ENERGY STAR.)
- Connect either cable or antenna to your TV. You can connect both using an A-B RF switch (not supplied). If you connect cable, the TV will scan cable channels. After this scanning, you can search antenna channels as well.
 - If you have both cable and antenna connections available, please connect cable first.
 - If you are not using the CABLE/ANTENNA connection to TV (for example, if using a cable or satellite box), you can cancel the **Auto Program** by selecting **Cancel**.
- If the **Initial Setup** programming found cable channels, you will be able to scan antenna channels as well. Connect the antenna (using an A-B RF switch, not supplied) and change the switch to antenna, then start **Auto Program** to search antenna channels.



If you did not follow the **Initial Setup** screen the first time you turned on your TV, refer to your Operating Instructions Manual.

To Do List

When the **Initial Setup** is completed, consider carrying out these items:

- Set Closed Captions (CC)
- Set Parental Lock
- Show/Hide Channels
- Label Video Inputs
- Set Speaker

For details, refer to your BRAVIA Operating Instructions Manual.

3 Watching Your TV

Select Your Content Source

Whether you are watching cable, satellite or broadcast TV; playing a VCR, DVD or Blu-ray Disc; or connecting to your PC or USB (Photo, Music, Video), you need to choose the correct input using your remote control:

- Press the **INPUT** button repeatedly until your selection is highlighted on-screen.

Adjust Screen Shape and Aspect Ratio

High Definition and Standard Definition signals are transmitted with different aspect ratios (the width-to-height ratio of the image).

The 16:9 aspect ratio (common to most HD signals) looks perfect on your BRAVIA.



The boxy 4:3 aspect ratio (common to most SD signals) must be adjusted to fill the screen.



- Press the **WIDE** button on your remote control to display the **Wide Mode** setting of your preference.

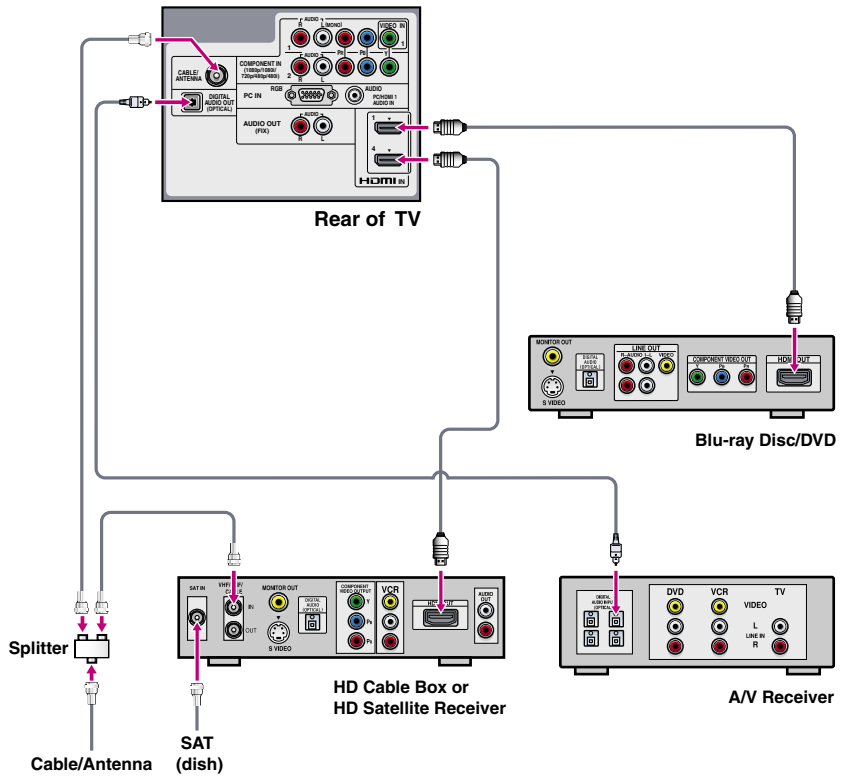
Customize Sound and Picture Quality

You can choose optimum sound and picture settings to match the content you are displaying on your TV:

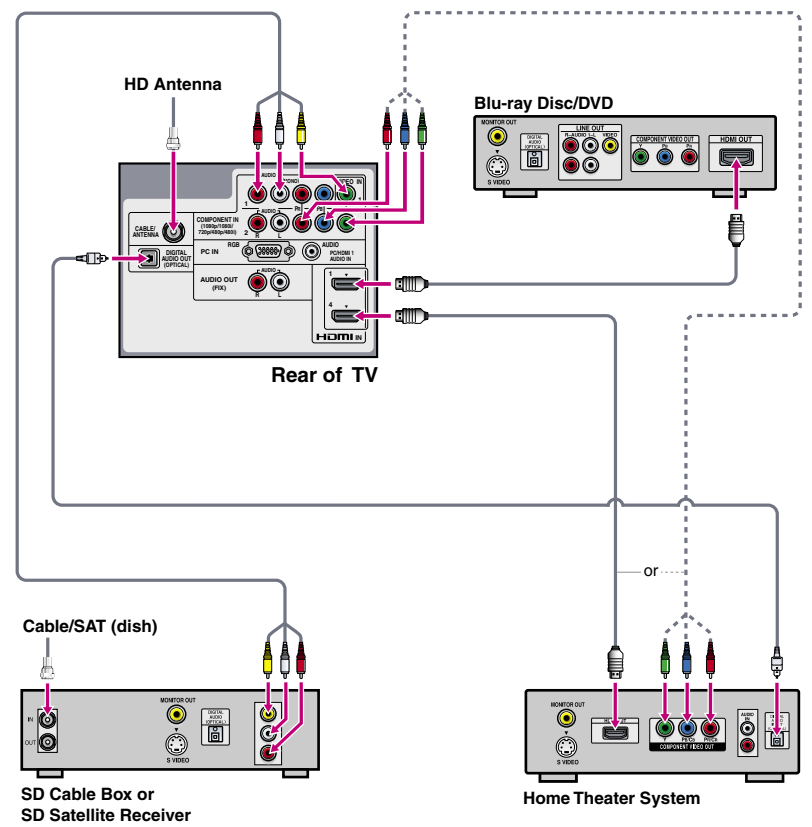
- Press the remote control's **MENU** button, highlight and select **Settings**, then select the **Picture** and **Sound** settings to adjust the picture and sound quality of your content.

Refer to your Operating Instructions Manual for more information on adjusting or customizing your settings.

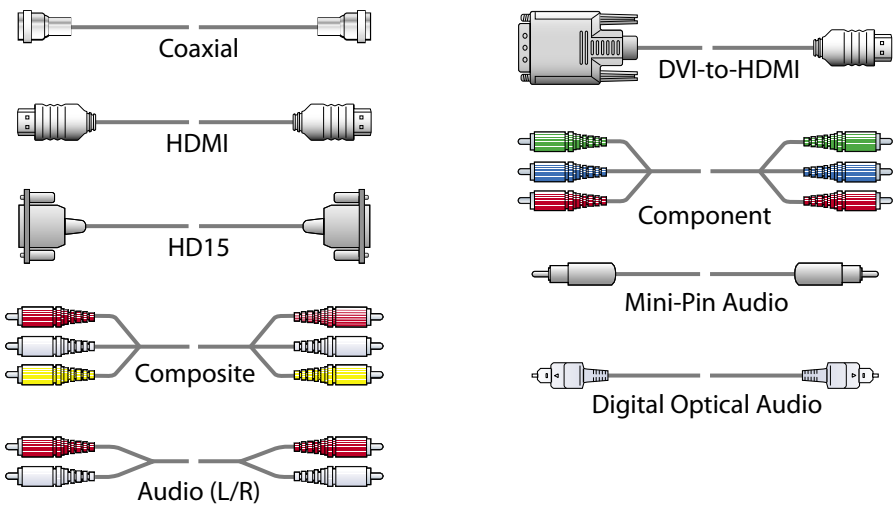
HD Basic Connection with A/V Receiver



HD Basic Connection with Home Theater System



Required Cable Types for Connection



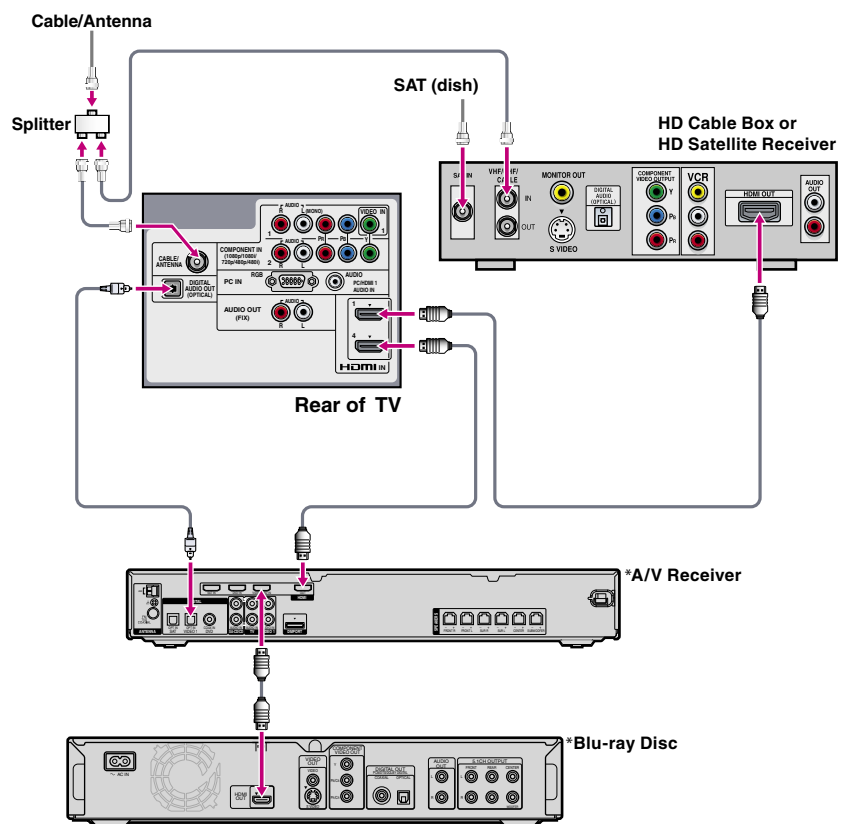
Notes on Connection:

- Your TV is equipped with multiple HDMI inputs; connect your incoming signal source (HD Cable Box, HD Satellite Box, or DVD) with HDMI or component video for the best possible picture quality.
- If your connecting equipment has DVI output instead of HDMI output, you must use DVI-to-HDMI cable for the video and also connect an audio cable for the sound.

Connecting a PC to Your BRAVIA® TV

- Connect PC's audio output when using an HD15 connection.
- Press PC's FUNCTION Key + Select Output to transmit to TV.
- When using an HD15 connection, adjust TV's Pitch and Phase to correct sharpness.
- Refer to your BRAVIA® Operating Instructions Manual for more information.

HD BRAVIA® Sync™ Basic Connection



*Signifies a BRAVIA Sync capable device.

PC Connection with SD VCR/DVD

