



KDL-26S2000  
KDL-32S2000  
KDL-40S2000

# Quick Setup Guide

For further information, see the operating instruction supplied with the TV. Please retain this guide for your future reference.

For service and technical assistance, call our Customer Information Service Center (Toll Free):  
US residents: 1-800-222-SONY (7669)  
Canadian residents: 1-877-899-SONY (7669)  
or visit: <http://www.sony.com/TVsupport>  
**DO NOT RETURN TO THE STORE**

Sony Corporation © 2006 Printed in Japan

## Making Audio/Video Connections

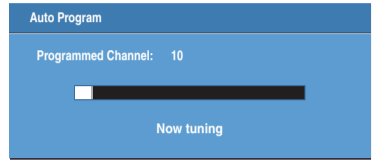
Your new TV includes various types of video inputs and two types of audio jacks; composite-RCA type and digital audio (optical). Use the outputs/inputs that are available on your components that provide the best video/audio performances:

Connector type	Best Audio/Video Performance	Connector type
Digital Optical	↑	HDMI (High-Definition Multimedia Interface)
Digital Coaxial Will require an adapter to connect to this TV's digital audio output.		DVI (Digital Visual Interface) Will require an adapter to connect to this TV.
Analog Audio		Component video
		S VIDEO
		Composite video

The connection diagrams shown below and on the reverse side are recommendations only; other possible solutions may exist. Connections that include an AV receiver can often be complex, so check your AV receiver's instruction manual for additional details.  
 See the "Cables Required" chart that appears with the diagram to determine which cables you'll need. Depending on the components you plan to connect, you may need to purchase extra cables.

## Running Initial Setup

- Press to turn on the TV.  
The Initial Setup screen appears.
- Press to highlight the on-screen display language. Then press .
- Press to highlight "OK" then press .
- Press to highlight "OK" then press .



When Initial Setup is complete, the TV will display the total number of analog channels or the total number of digital channels found.

### To run Auto Program again at a later time

Refer to the manual on "Initial Setup" and "Auto Program" sections.

The default setting for channel selection is Cable On. For antenna connections, run the Auto Program again after selecting Cable Off from the settings.

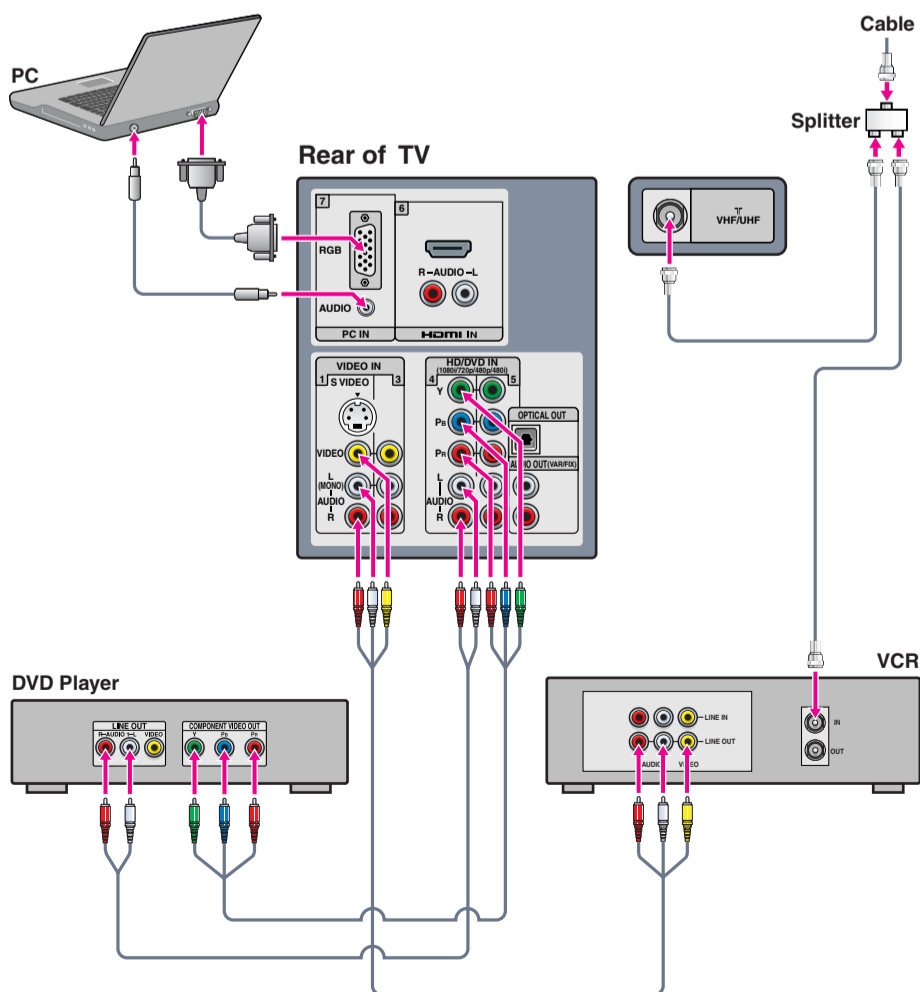
## A

Use this diagram if you have:



Cables Required	
Splitter	1
Coaxial	3
Composite	1
Component	1
Audio	2
HD15-HD15	1

If your DVD player has an HDMI jack, use that instead of the video connections shown here.



## B

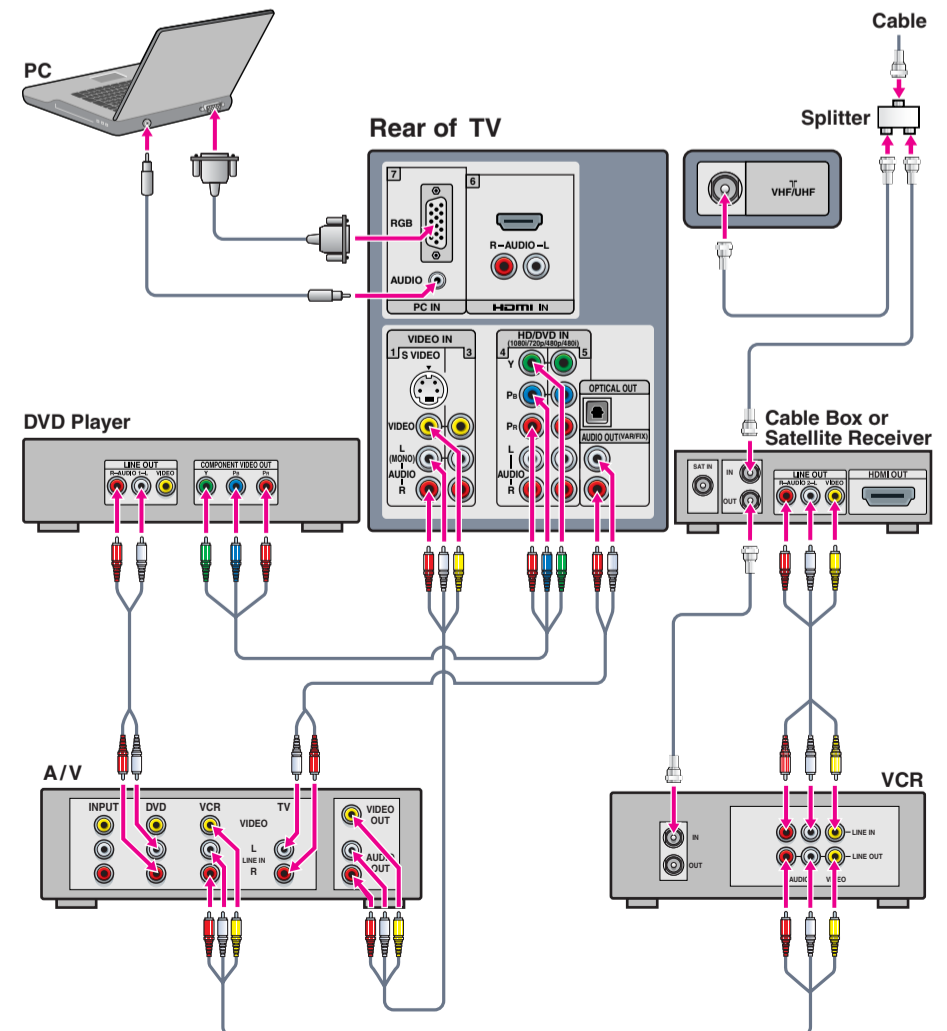
Use this diagram if you have:



Cables Required	
Splitter	1
Coaxial	4
Composite	3
Component	1
Audio	3
HD15-HD15	1

If your DVD player or satellite receiver has an HDMI jack, use that instead of the video connections shown here.

If you are not using a cable box or satellite receiver, connect your cable to the VCR's RF IN jack.



# C

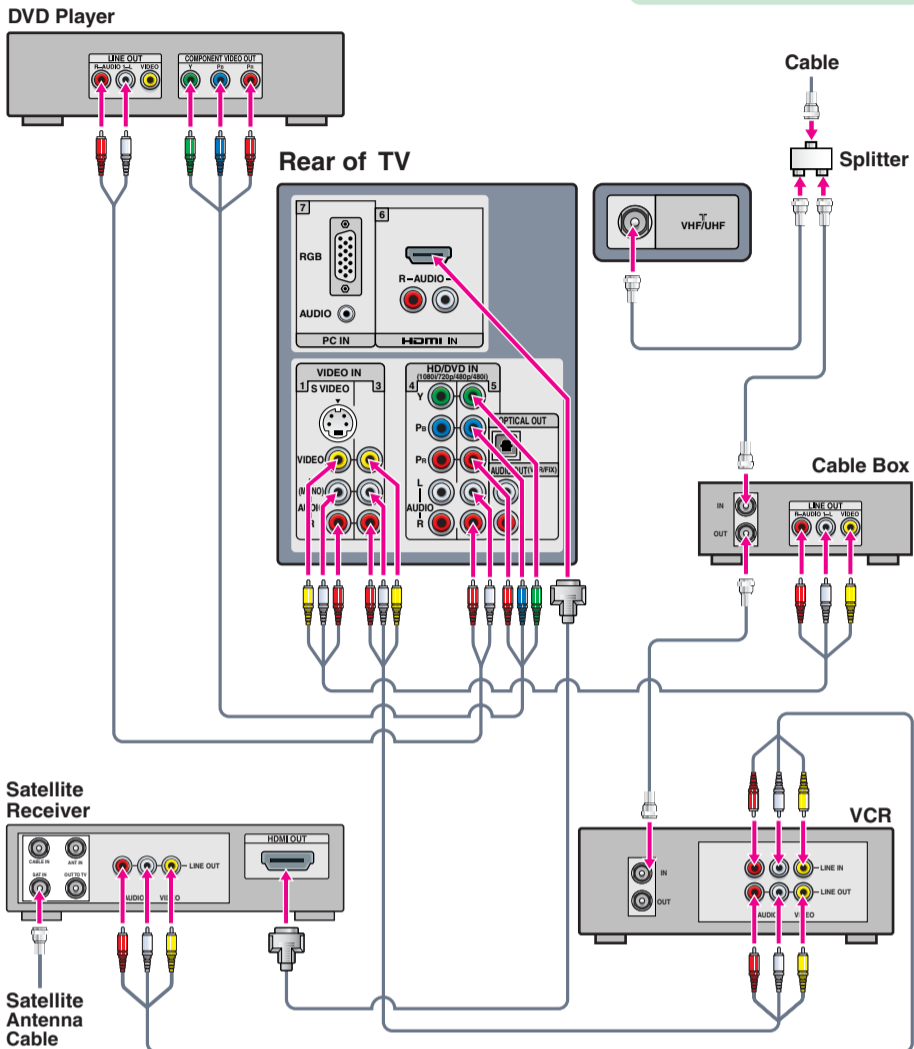
Use this diagram if you have; Cable/Antenna

Cable Box VCR DVD Player Satellite Receiver

Cables Required	
Splitter	1
Coaxial	5
Composite	3
Component	1
Audio	1
HDMI	1

If your DVD player or satellite receiver has an HDMI jack, use that instead of the component/composite video connections.

If you are not using a cable box, connect your cable to the VCR's RF IN jack.

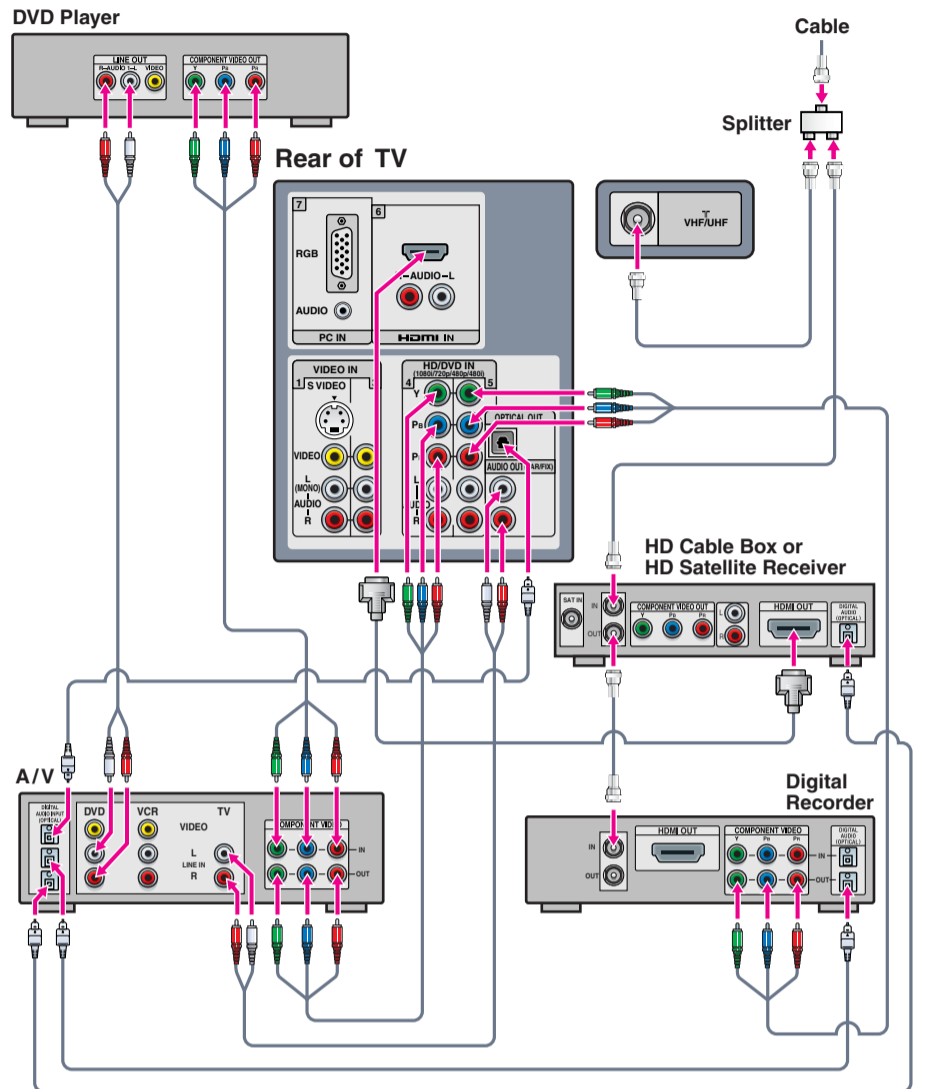


# D

Use this diagram if you have; Cable/Antenna

HD Cable Box DVD Player AV Receiver Digital Recorder  
or  
 HD Sat Receiver

Cables Required	
Splitter	1
Coaxial	4
Component	3
Audio	2
HDMI	1
Optical Audio	3



# E

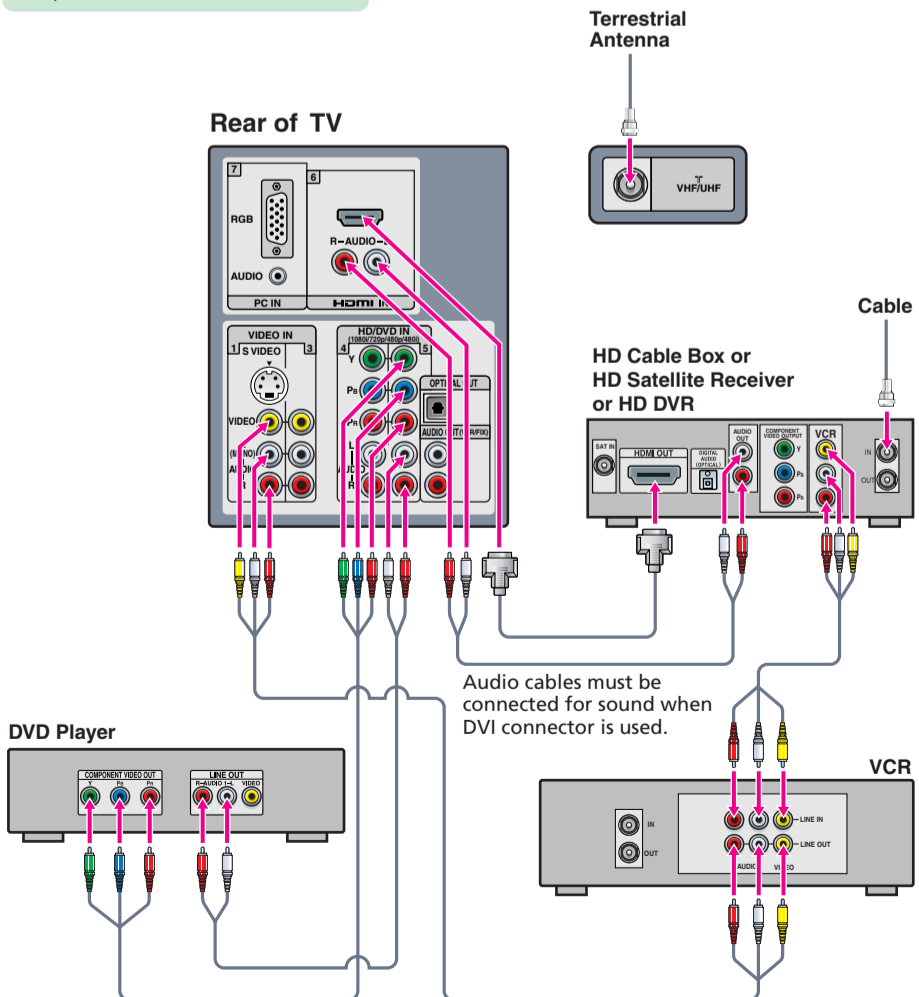
Use this diagram if you have;

Cable/Antenna HD Cable Box VCR DVD Player  
or  
 HD Sat Receiver or HD DVR

Cables Required	
Coaxial	2
Composite	2
Component	1
Audio	2
HDMI	1

If your DVD player has an HDMI jack, use that instead of the component/composite video connections.

For best results, check the cable box's manual for proper setup of the HD output.



# F

Use this diagram if you have;

Cable/Antenna Cable Box VCR Sony Dream System  
or  
 Satellite Receiver

Cables Required	
Splitter	1
Coaxial	4
Composite	2
Video	1
Optical Audio	1

If you are not using a cable box or satellite receiver, connect the cable to the VCR's RF IN jack.

